

PRODUCT SERIES SPECIFICATIONS

Series: AseptiQuik G Connector

Category: Bioprocessing

Pressure: Vacuum to 60 psi, 4.1 bar for 30 days; Vacuum to 75 psi, 5.1 bar for 48 hours

Temperature: 34°F-104°F (1°C-40°C)

Sterilization Method: Gamma

For more information see cpcworldwide.com or contact us at cpcworldwide.com/ContactUs

Interactive 3D graphic, click to activate and rotate.

Genderless AseptiQuik® G Connectors enable quick and easy sterile connections, even in non-sterile environments. The easy-to-use genderless design simplifies system integration and minimizes the risk of operator error. The connectors' robust construction provides enhanced user confidence and reliable performance without the need for clamps, fixtures or tube welders. Biopharmaceutical manufacturers benefit from a full range of interchangeable 1/4" to 3/4" flow solutions with the quality and market availability they expect from the leader in single-use connection technology.

Features - Benefits

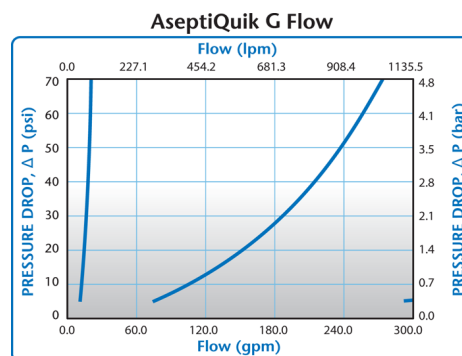
Genderless design - Eases integration of single-use systems with one part number for both halves

Robust construction - Repeatable and reliable performance with no additional hardware required

FLIP-CLICK-PULL - Innovative three-step connection process reduces risk of operator error

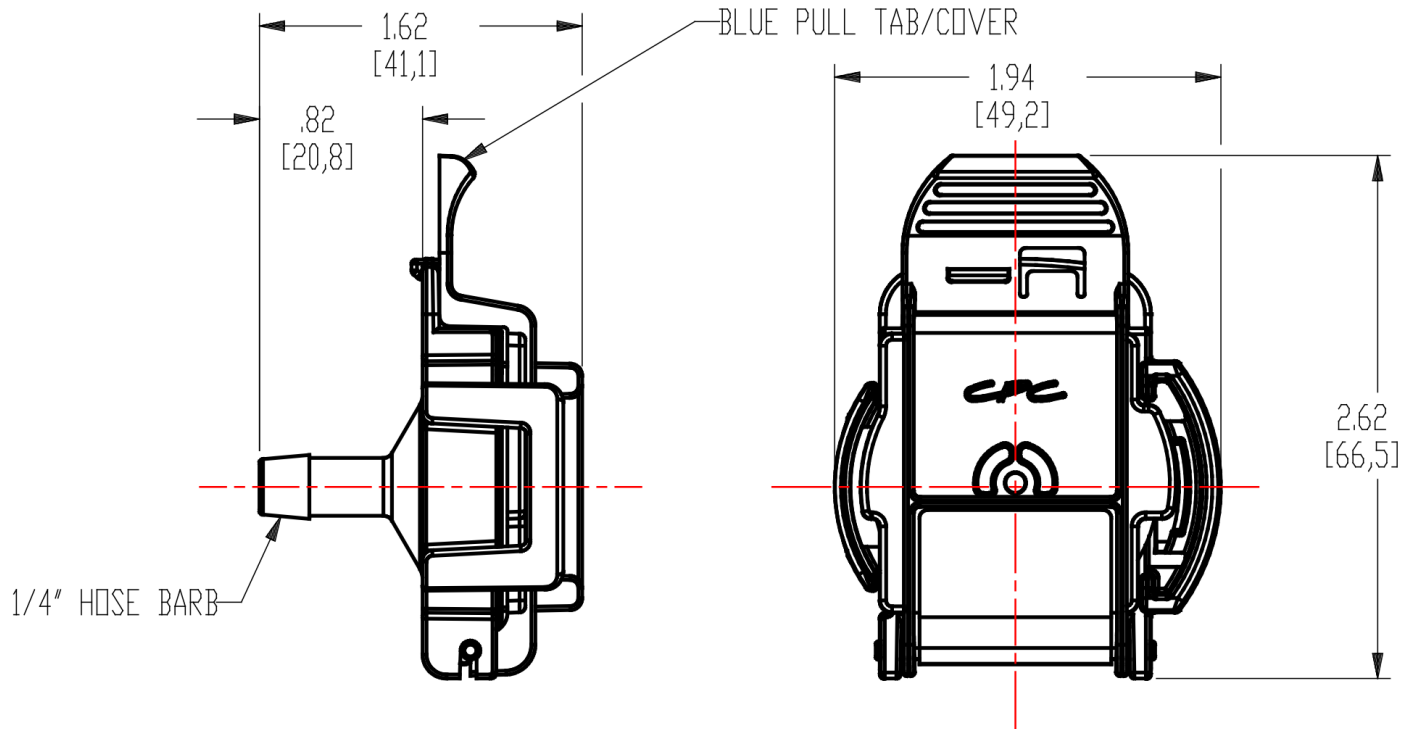
Integrated pull tab covers - Pull tabs act as protective cover reducing part complexity and ensure simultaneous removal of both membranes

CPC Click - Audible confirmation of assembly



These graphs are intended to give you a general idea of the performance capabilities of each product line. Contact CPC for flow of a particular coupling combination.

Technical details:



Description: 1/4" Hose Barb AseptiQuik G Connector Body

Materials:

Main Components: White Polycarbonate

Seals: Silicone, platinum-cured, USP Class VI, ADCF

Others: Blue Polycarbonate Cap & Polyethylene Membrane.

Standard Packaging Quantity: 5